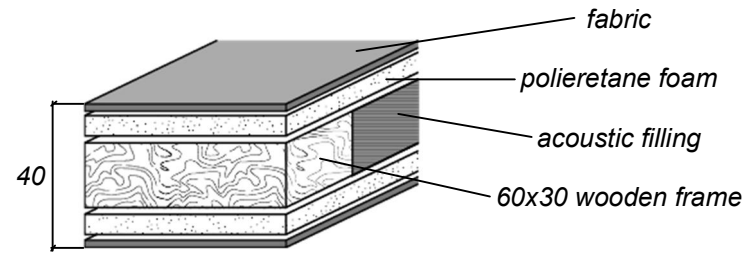
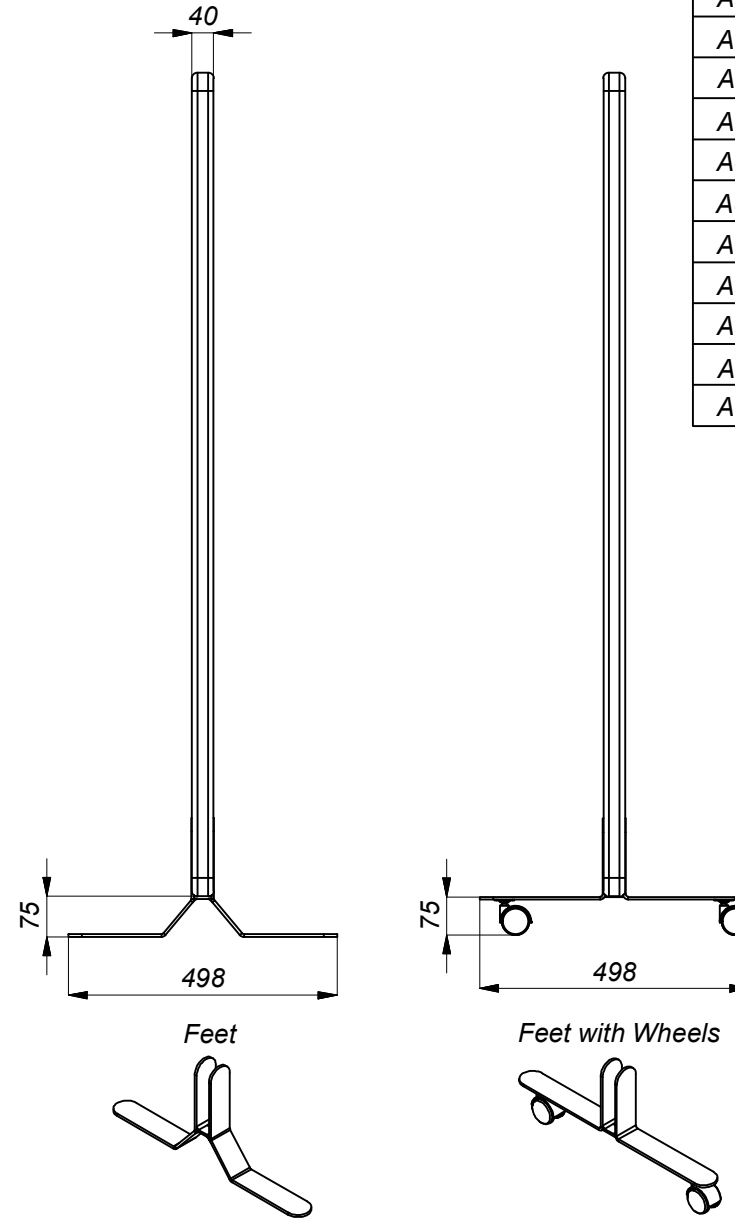
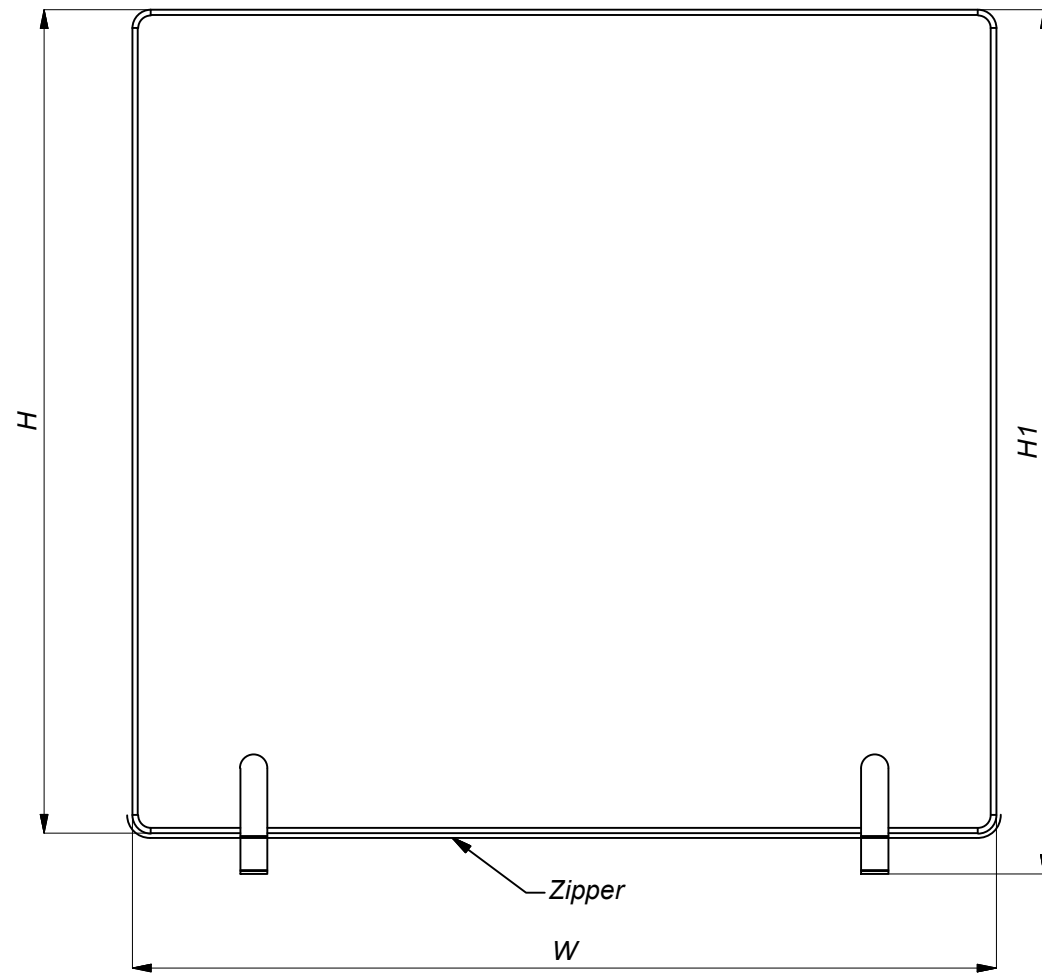


Panel Structure



Tolerances (mm)			
Dimension		Deviation	
1	-	20	± 0.2
20	-	50	± 0.5
50	-	200	± 1.0
200	-		± 2.0

Description	Item Code	H (mm)	H1 (mm)	W (mm)
Acoustic Floor Screen 800x1200x40	A2FC100	1125	1200	800
Acoustic Floor Screen 800x1400x40	A2FC101	1325	1400	800
Acoustic Floor Screen 800x1600x40	A2FC102	1525	1600	800
Acoustic Floor Screen 800x1800x40	A2FC103	1725	1800	800
Acoustic Floor Screen 1000x1200x40	A2FC104	1125	1200	1000
Acoustic Floor Screen 1000x1400x40	A2FC105	1325	1400	1000
Acoustic Floor Screen 1000x1600x40	A2FC106	1525	1600	1000
Acoustic Floor Screen 1000x1800x40	A2FC107	1725	1800	1000
Acoustic Floor Screen 1200x1200x40	A2FC108	1125	1200	1200
Acoustic Floor Screen 1200x1400x40	A2FC109	1325	1400	1200
Acoustic Floor Screen 1200x1600x40	A2FC110	1525	1600	1200
Acoustic Floor Screen 1200x1800x40	A2FC111	1725	1800	1200
Acoustic Floor Screen 1400x1200x40	A2FC112	1125	1200	1400
Acoustic Floor Screen 1400x1400x40	A2FC113	1325	1400	1400
Acoustic Floor Screen 1400x1600x40	A2FC114	1525	1600	1400
Acoustic Floor Screen 1400x1800x40	A2FC115	1725	1800	1400
Acoustic Floor Screen 1600x1200x40	A2FC116	1125	1200	1600
Acoustic Floor Screen 1600x1400x40	A2FC117	1325	1400	1600
Acoustic Floor Screen 1600x1600x40	A2FC118	1525	1600	1600
Acoustic Floor Screen 1600x1800x40	A2FC119	1725	1800	1600



				U N I K A ACOUSTICS			
				Product name			
				Date			
				2021-05-11			
				Acoustic Floor Screen			